



Institut
National du
Cancer

SUBPROCESS

STANDARDISED PATIENT PATHWAY FOR BREAST CANCER

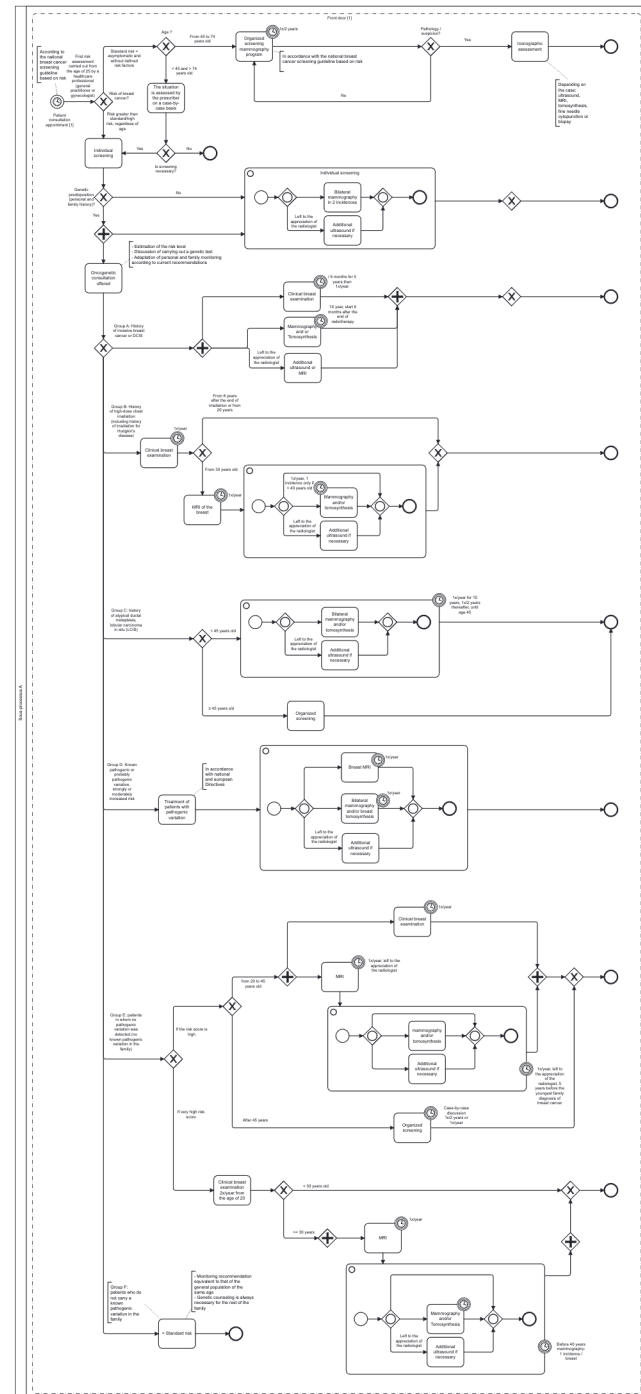
PATIENT PATHWAY DEVELOPED BY THE WORKING GROUP OF THE
NATIONAL CANCER INSTITUTE

VERSION 2
01/08/2025

Breast cancer – Subprocess A– Entry point

The national care pathway for breast cancer has been designed on the basis of the European model for colorectal cancer care, developed within the framework of the iPAAC Joint Action.

<https://www.ipaac.eu/res/file/outputs/wp10/patient-pathway-template-crc.pdf>



GLOSSARY

| | |
|------|----------------------------|
| DCIS | Ductal Carcinoma In Situ |
| LCIS | Lobular Cancer In Situ |
| MRI | Magnetic Resonance Imaging |

1. Stages & Actors

1.1. Stages

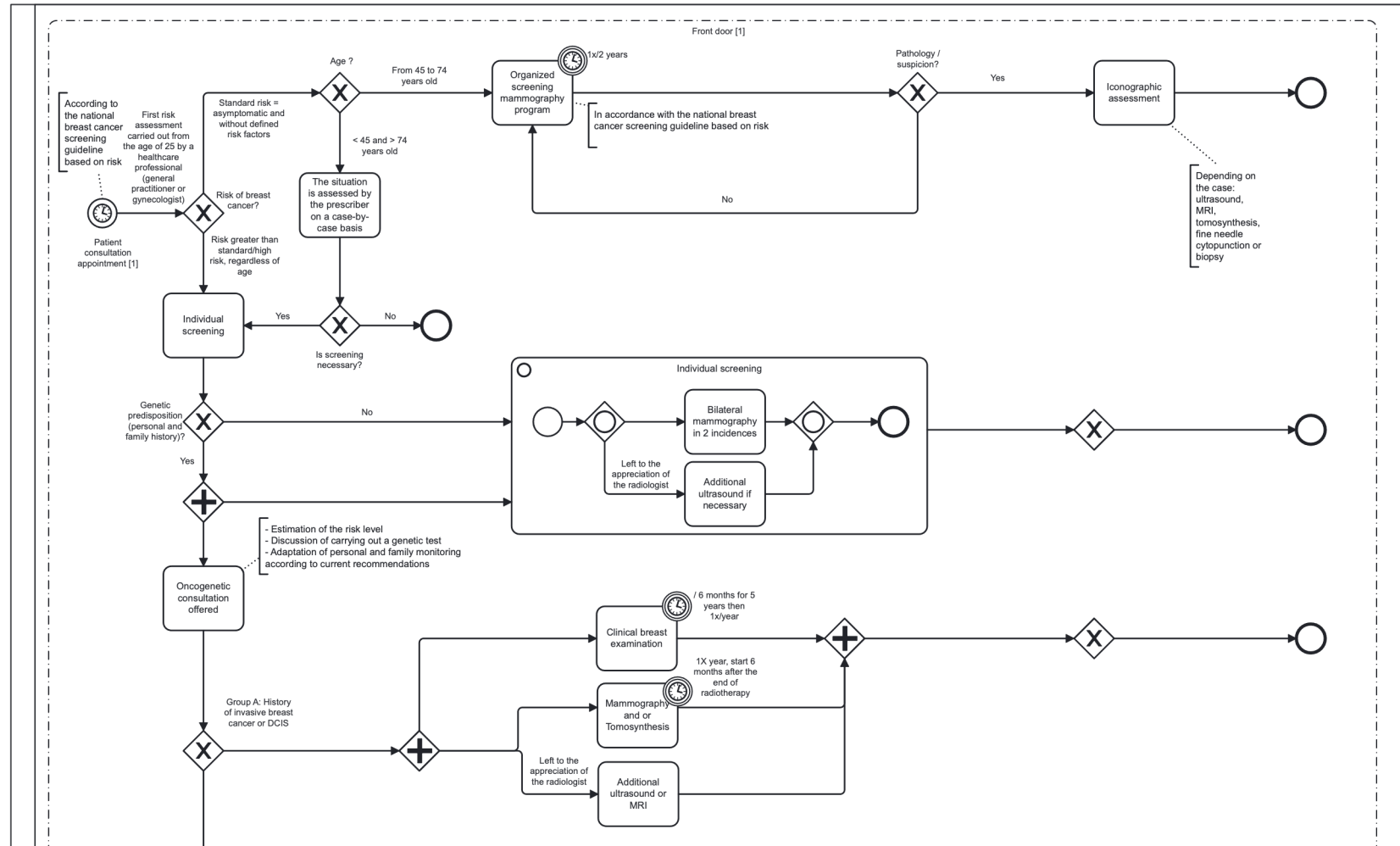
| Stage | Actors involved |
|------------|--|
| Front door | Anatomo-pathologist, Biologist, General practitioner, Gynecologist, Medical oncologist, Patient support groups, Radiologist/ Nuclear Medicine, Work medicine |

2. References

- [1] National guidelines for risk-based breast cancer screening

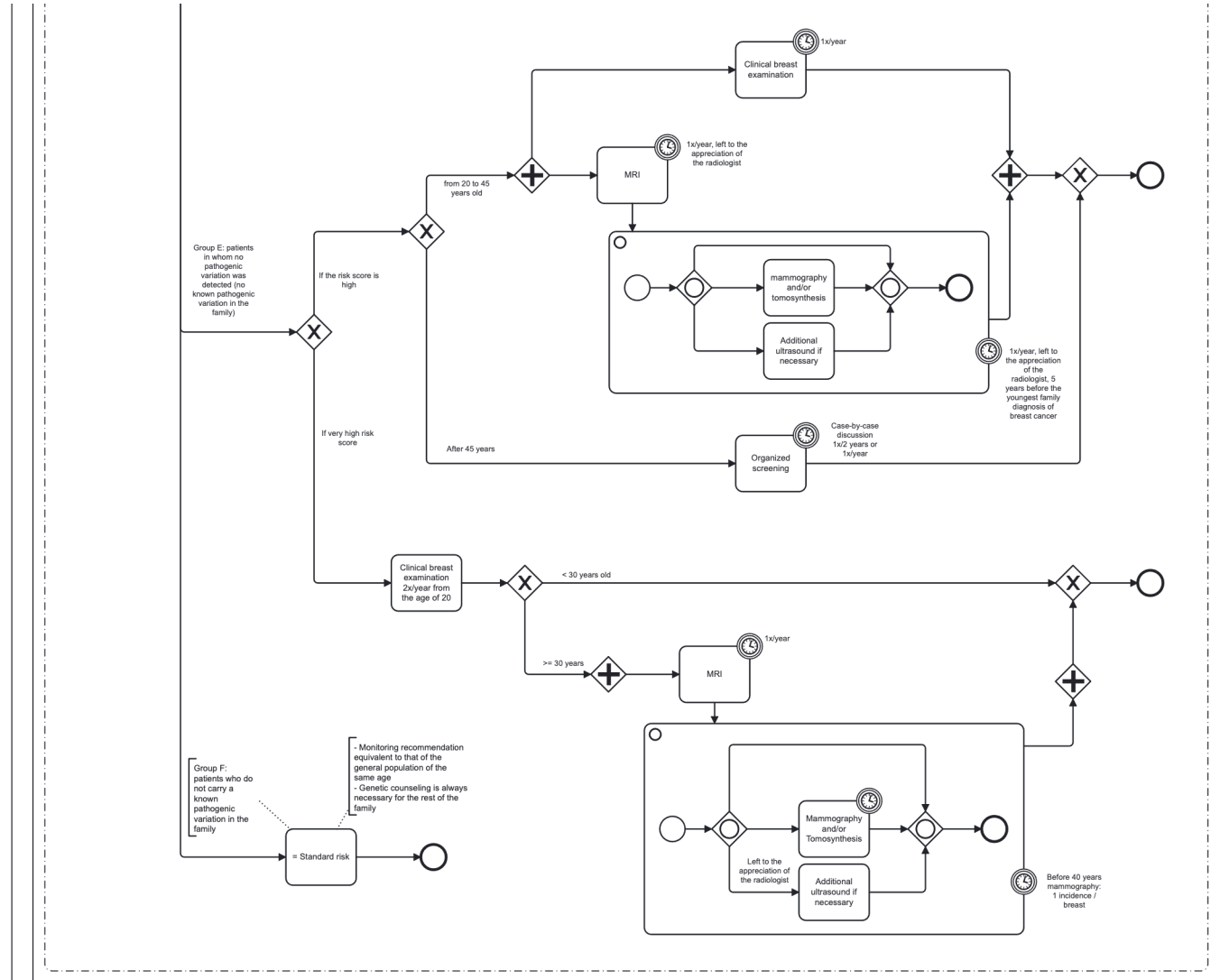
The national care pathway for breast cancer has been designed on the basis of the European model for colorectal cancer care, developed within the framework of the iPAAC Joint Action. <https://www.ipaac.eu/res/file/outputs/wp10/patient-pathway-template-crc.pdf>

Breast cancer – Subprocess A– Entry point



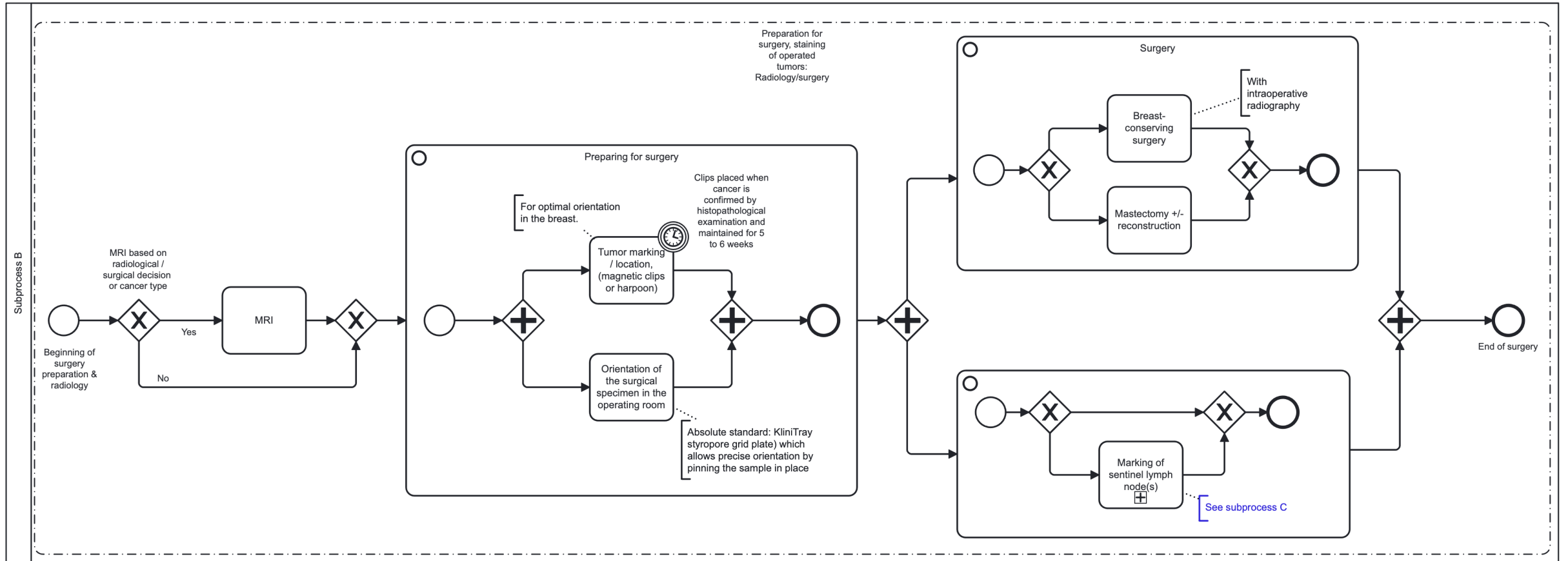
The national care pathway for breast cancer has been designed on the basis of the European model for colorectal cancer care, developed within the framework of the iPAAC Joint Action. <https://www.ipaac.eu/res/file/outputs/wp10/patient-pathway-template-crc.pdf>

Breast cancer – Subprocess A– Entry point



The national care pathway for breast cancer has been designed on the basis of the European model for colorectal cancer care, developed within the framework of the iPAAC Joint Action. <https://www.ipaac.eu/res/file/outputs/wp10/patient-pathway-template-crc.pdf>

Breast cancer – Subprocess B– Preparation for surgery



The national care pathway for breast cancer has been designed on the basis of the European model for colorectal cancer care, developed within the framework of the iPAAC Joint Action. <https://www.ipaac.eu/res/file/outputs/wp10/patient-pathway-template-crc.pdf>

GLOSSARY

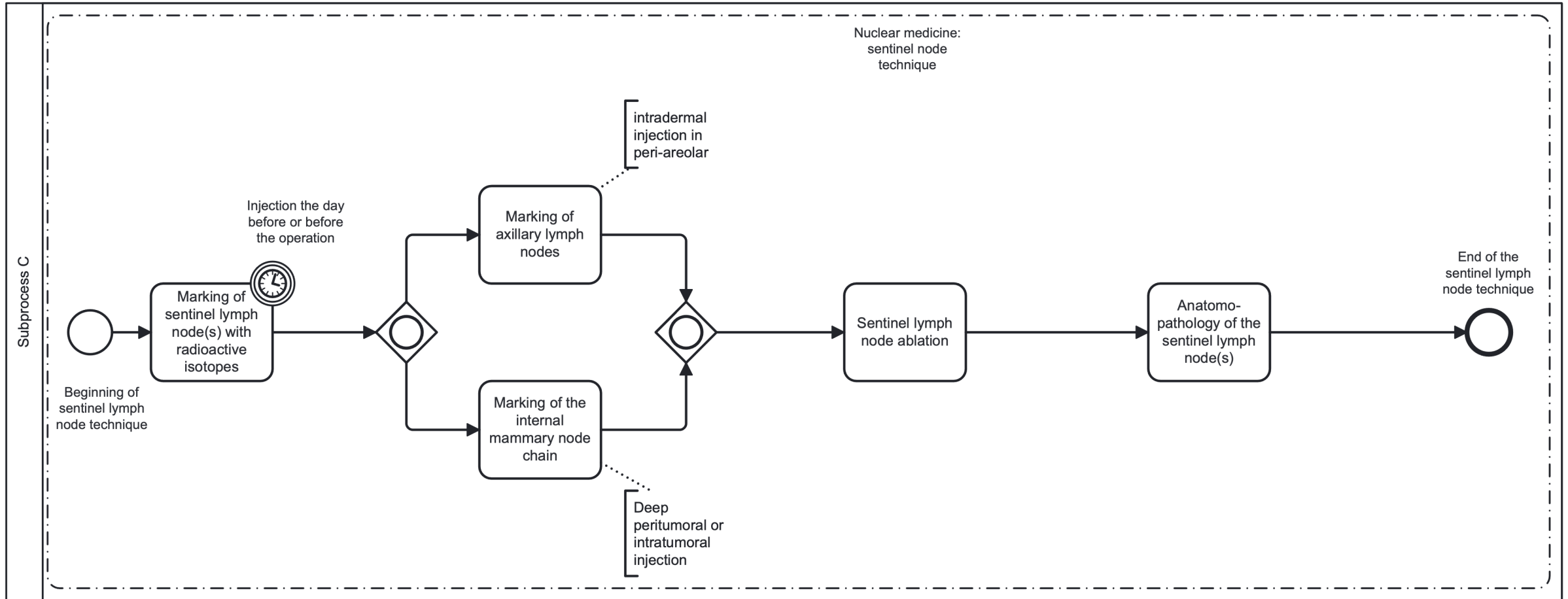
| | |
|-----|----------------------------|
| MRI | Magnetic Resonance Imaging |
|-----|----------------------------|

1. Stages & Actors

1.1. Stages

| Stage | Actors involved |
|--|---|
| Preparation for surgery, staining of operated tumors: Radiology/surgery | Breast Surgeon / Plastician, Radiologist/ Nuclear Medicine |

The national care pathway for breast cancer has been designed on the basis of the European model for colorectal cancer care, developed within the framework of the iPAAC Joint Action. <https://www.ipaac.eu/res/file/outputs/wp10/patient-pathway-template-crc.pdf>



The national care pathway for breast cancer has been designed on the basis of the European model for colorectal cancer care, developed within the framework of the iPAAC Joint Action. <https://www.ipaac.eu/res/file/outputs/wp10/patient-pathway-template-crc.pdf>

1. Stages & Actors

1.1. Stages

| Stage | Actors involved |
|---|--|
| Nuclear medicine: sentinel node technique | Anatomo-pathologist, Breast Surgeon / Plastician, Radiologist/ Nuclear Medicine |

The national care pathway for breast cancer has been designed on the basis of the European model for colorectal cancer care, developed within the framework of the iPAAC Joint Action. <https://www.ipaac.eu/res/file/outputs/wp10/patient-pathway-template-crc.pdf>

GLOSSARY

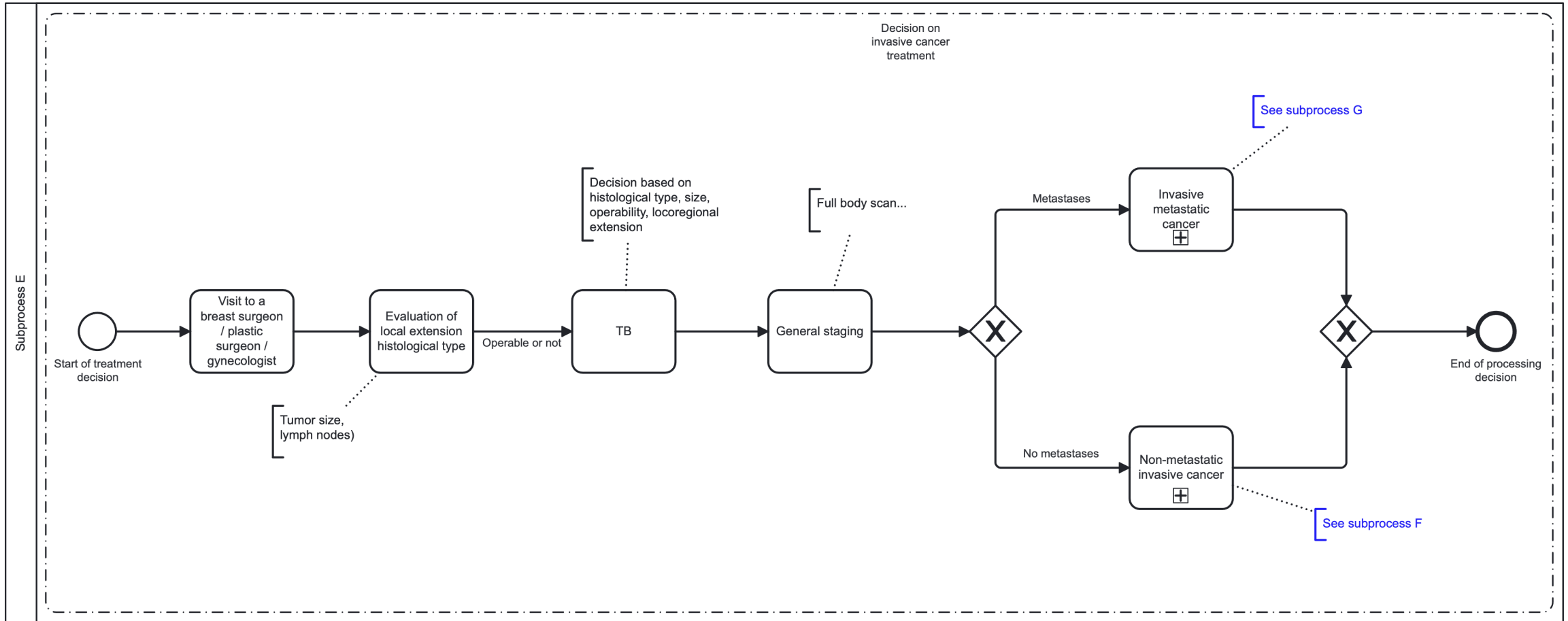
| | |
|------|--------------------------|
| DCIS | Ductal Carcinoma In Situ |
| TB | Tumour Board |

1. Stages & Actors

1.1. Stages

| Stage | Actors involved |
|----------------|---|
| DCIS treatment | Anatomo-pathologist, Breast Surgeon / Plastician, Case manager, Gynecologist, Medical oncologist, Psychologist, Radiologist/ Nuclear Medicine |

The national care pathway for breast cancer has been designed on the basis of the European model for colorectal cancer care, developed within the framework of the iPAAC Joint Action. <https://www.ipaac.eu/res/file/outputs/wp10/patient-pathway-template-crc.pdf>



The national care pathway for breast cancer has been designed on the basis of the European model for colorectal cancer care, developed within the framework of the iPAAC Joint Action. <https://www.ipaac.eu/res/file/outputs/wp10/patient-pathway-template-crc.pdf>

GLOSSARY

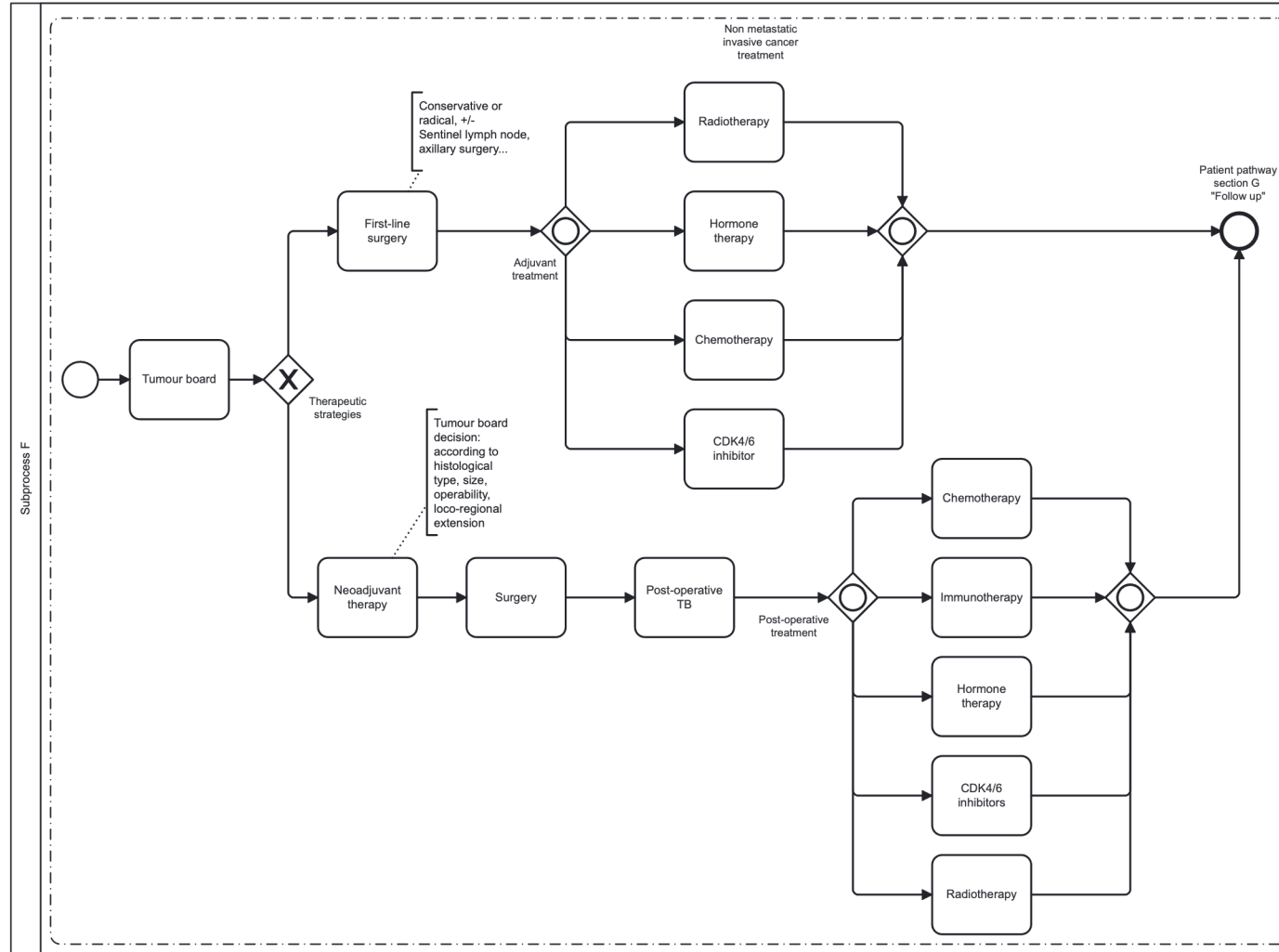
| | |
|----|---------------------|
| CT | Computed Tomography |
|----|---------------------|

1. Stages & Actors

1.1. Stages

| Stage | Actors involved |
|---------------------------------------|---|
| Decision on invasive cancer treatment | Anatomo-pathologist, Breast Surgeon / Plastician, Case manager, Geriatrician, Gynecologist, Hospital pharmacist, Molecular geneticist/ oncology genetic counselling, Nurse specialized in oncology, Psychologist, Radiologist/ Nuclear Medicine |

The national care pathway for breast cancer has been designed on the basis of the European model for colorectal cancer care, developed within the framework of the iPAAC Joint Action. <https://www.ipaac.eu/res/file/outputs/wp10/patient-pathway-template-crc.pdf>



The national care pathway for breast cancer has been designed on the basis of the European model for colorectal cancer care, developed within the framework of the iPAAC Joint Action. <https://www.ipaac.eu/res/file/outputs/wp10/patient-pathway-template-crc.pdf>

GLOSSARY

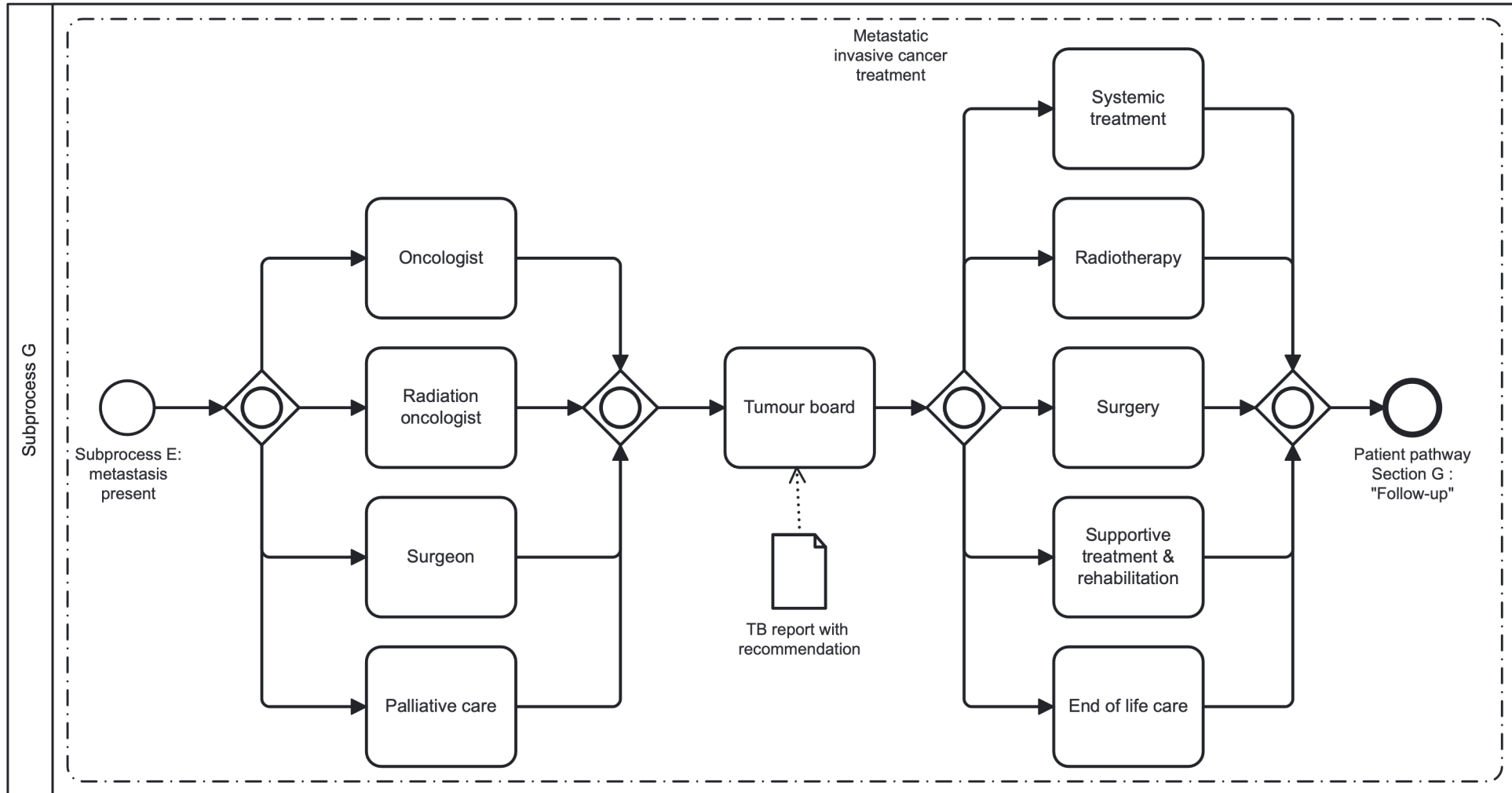
| | |
|---------|-----------------------------|
| CDK 4/6 | Cyclin-Dependent Kinase 4/6 |
| TB | Tumour Board |

1. Stages & Actors

1.1. Stages

| Stage | Actors involved |
|--|--|
| Non metastatic invasive cancer treatment | Anatomo-pathologist, Breast Surgeon / Plastician, Case manager, Geriatrician, Gynecologist, Hospital pharmacist, Medical oncologist, Psychologist, Radiologist/ Nuclear Medicine, Radiotherapist |

The national care pathway for breast cancer has been designed on the basis of the European model for colorectal cancer care, developed within the framework of the iPAAC Joint Action. <https://www.ipaac.eu/res/file/outputs/wp10/patient-pathway-template-crc.pdf>



The national care pathway for breast cancer has been designed on the basis of the European model for colorectal cancer care, developed within the framework of the iPAAC Joint Action. <https://www.ipaac.eu/res/file/outputs/wp10/patient-pathway-template-crc.pdf>

GLOSSARY

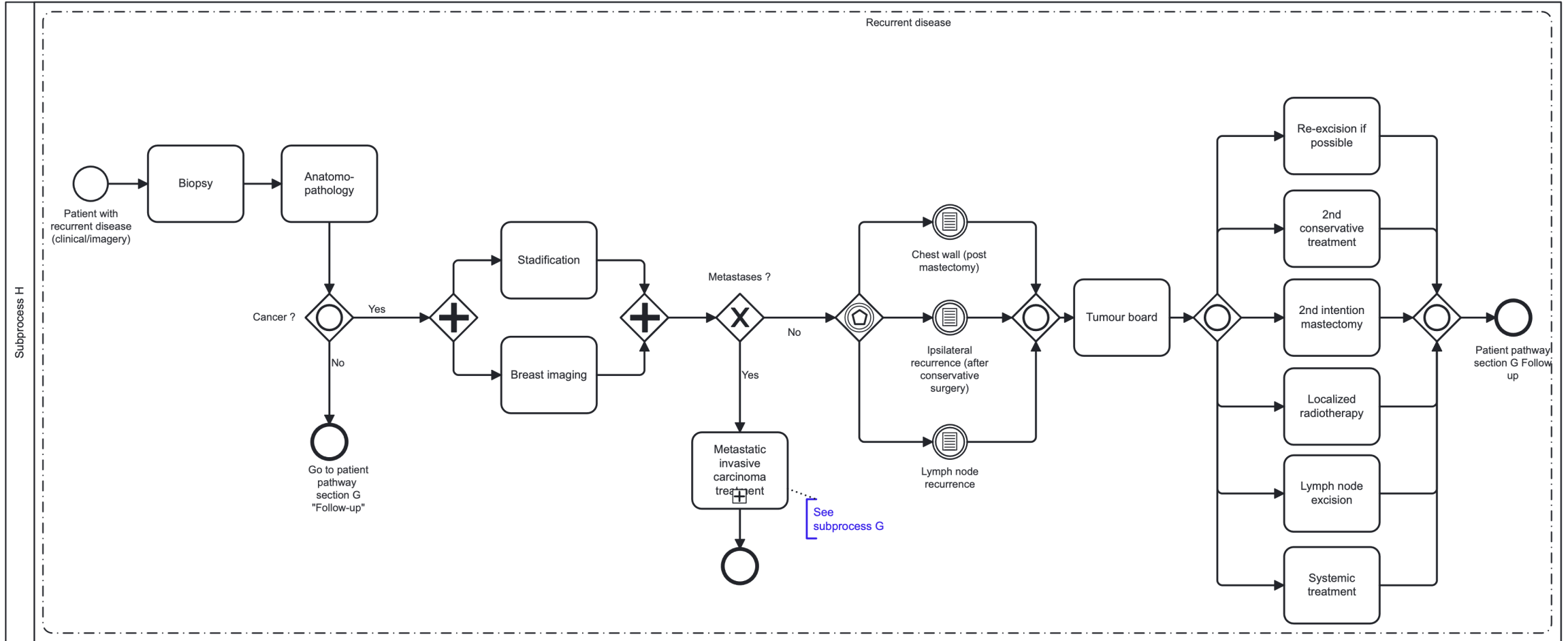
| | |
|----|--------------|
| TB | Tumour Board |
|----|--------------|

1. Stages & Actors

1.1. Stages

| Stage | Actors involved |
|--------------------------------------|--|
| Metastatic invasive cancer treatment | Anatomo-pathologist, Case manager, Diététicien(ne), Dietitian, Geriatrician, Gynecologist, Hospital pharmacist, Medical oncologist, Psycho-oncologist, Radiologist/ Nuclear Medicine, Radiotherapist, Spiritual guidance |

The national care pathway for breast cancer has been designed on the basis of the European model for colorectal cancer care, developed within the framework of the iPAAC Joint Action. <https://www.ipaac.eu/res/file/outputs/wp10/patient-pathway-template-crc.pdf>



The national care pathway for breast cancer has been designed on the basis of the European model for colorectal cancer care, developed within the framework of the iPAAC Joint Action. <https://www.ipaac.eu/res/file/outputs/wp10/patient-pathway-template-crc.pdf>

1. Stages & Actors

1.1. Stages

| Stage | Actors involved |
|-------------------|---|
| Recurrent disease | Anatomo-pathologist, Breast Surgeon / Plastician, Case manager, Dietitian, General practitioner, Geriatrician, Gynecologist, Hospital pharmacist, Medical oncologist, Nurse specialized in oncology, Physiotherapist, Psychologist, Radiation oncologist, Radiologist/ Nuclear Medicine |

The national care pathway for breast cancer has been designed on the basis of the European model for colorectal cancer care, developed within the framework of the iPAAC Joint Action. <https://www.ipaac.eu/res/file/outputs/wp10/patient-pathway-template-crc.pdf>